

Current part is item (3) on diagram. Available at www.oshkoshequipment.com

(1) SMR Code	(2) Federal Stock Number	(3) Description	(4) Unit	(5) Qty	(6) 15-day Maintenance In	(7) Organizational allow Illustration	(a) Figure No.	(b) Item No.
Reference number & mfg. code			Usable on code		(a) (b) (c) (d)			
0106-ENGINE LUBRICATION SYSTEM -CONTINUED					1-5 6-20 21-50 51-100			
PAOZZ	2805-737-6336	SUPPORT: OIL LEVEL GAGE 7376336 (19207)	AA	EA	1	* * * *	6	2
PAOZZ	5330-737-6332	PACKING, PREFORMED: LEATHER, OIL GAGE ROD 7376332 (19207)	AA	EA	1	* * * *	6	3
PAOZZ	2805-737-6338	GAGE: BAYONET TYPE, OIL LEVEL 7376338 (19207)	AA	EA	1	* * * *	6	4
PAOZZ	2805-695-7196	BREATHER: WITH OIL FILTER ASSEMBLY 7538675 (19207)	AA	EA	1	* * * *	6	5
PAOZZ	2805-737-6331	BRACKET, AIR BREATHER: 7376331 (19207)	AA	EA	1	* * * *	6	6
PAOZZ	5310-637-9541	WASHER, LOCK: 3/8 NOM SIZE, AIR BREATHER BRACKET MS35338-46 (96906)	AA	EA	2	* * * *	6	7
PAOZZ	5310-732-0558	NUT, PLAIN, HEXAGON: 3/8-16UNC-2B, AIR BREATHER BRACKET MS51967-8 (96906)	AA	EA	2	* * * *	6	8
PAOZZ	4730-421-9087	PLUG, PIPE: 1/8-27NPT, FLYWHEEL HOUSING MS49005-2 (96906)	AA	EA	1	* * * *	6	9
PAOZZ	4730-088-8665	PLUG, PIPE: 3/4-14NPT, DRAIN, FLYWHEEL, HOUSING MS49005-10 (96906)	AA	EA	1	* * * *	6	10
PAOZZ	4730-113-0573	ELBOW, TUBE: COMPRESSION, BALL SLEEVE 3/4 TUBE X 1/2NPT THD. MS39171-9 (96906)	AA	EA	1	* * * *	6	11
PAOZZ	2805-040-2263	PIPE, AIR BREATHER TUBE: 7376335 (19207)	AA	EA	1	* * * *	6	12
PAOZZ	4730-270-4620	ADAPTER, STRIAIGHT, PIPE: W/SLEEVE AND NUT 144391 (24617)	AA	EA	1	* * * *	6	13
PAOZZ	5307-038-1942	STUD PLAIN: 3/8-16NC-3 1/2 X 3/8-16NC-2-9 / 16 X 1 1/4 X19002 (02978)	AA	EA	2	* * * *	6	14
PAOZZ	2815-131-5527	GASKET: OIL PAN DRAIN PLUG 711196 (16662)	AA	EA	1	* * * *	6	15
PAOZZ	4730-968-6129	PLUG, PIPE, MAGNETIC: OIL PAN DRAIN MS49006-10 (96906)	AA	EA	1	* * * *	6	16
PAOZZ	4730-113-5473	SLEEVE, TUBE: COMPRESSION BALL, 3/4 TUBE MS39177-9 (96906)	AA	EA	1	* * * *	6	17
PAOZZ	4730-113-5472	NUT, TUBE: COMPRESSION BALL, 3/4 TUBE, 1-18 UNS THD. MS39176-9 (96906)	AA	EA	1	* * * *	6	18
PAOZZ	5330-974-9677	WASHER, NONMETALLIC: 1/2 NOM SIZE, OIL CAP CHAIN RETAINER 56AX326 (76040)	AC	EA	1	* * * *	7	1

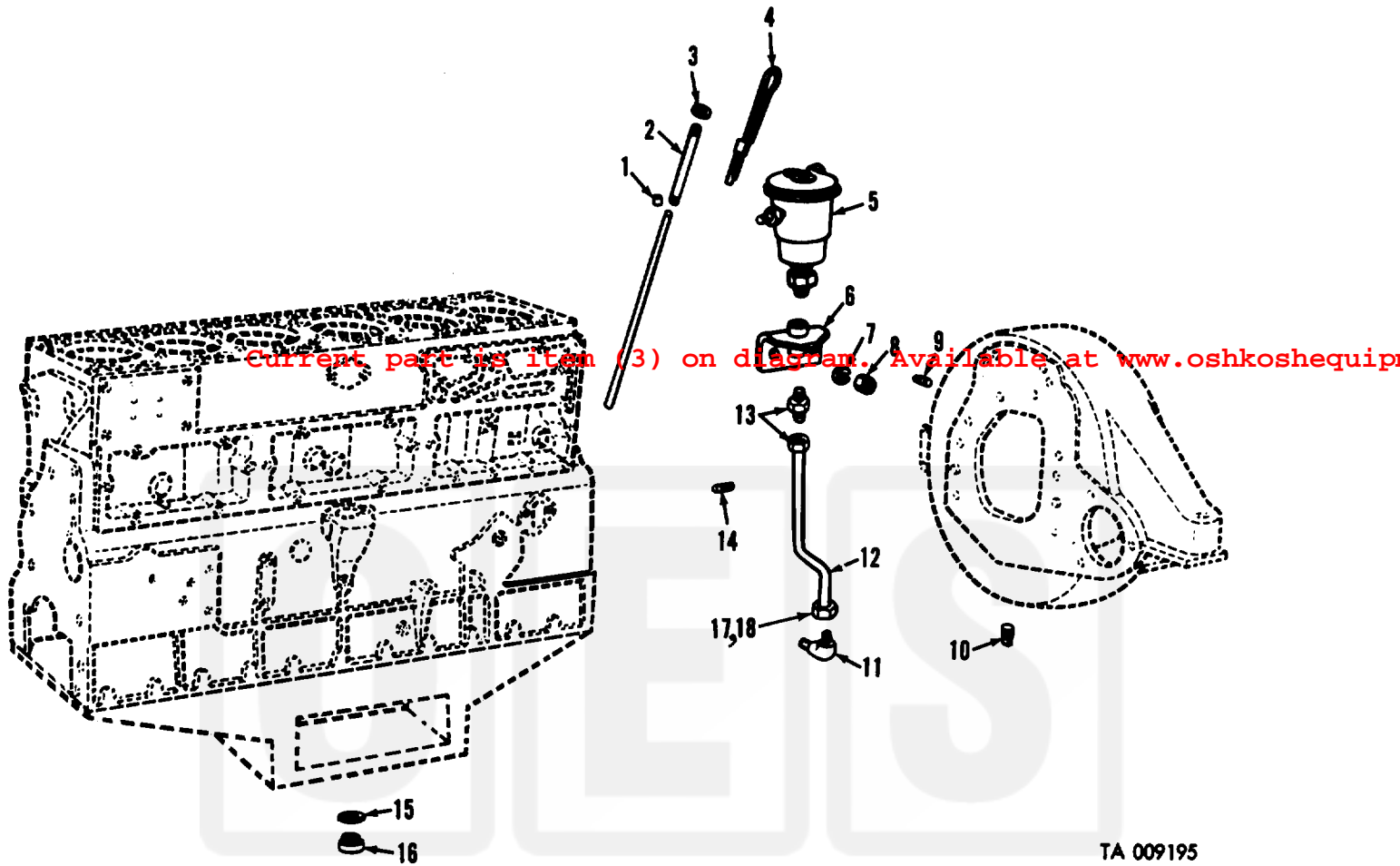


Figure 6. Breather w / oil filler assembly and oil level gage (gasoline).